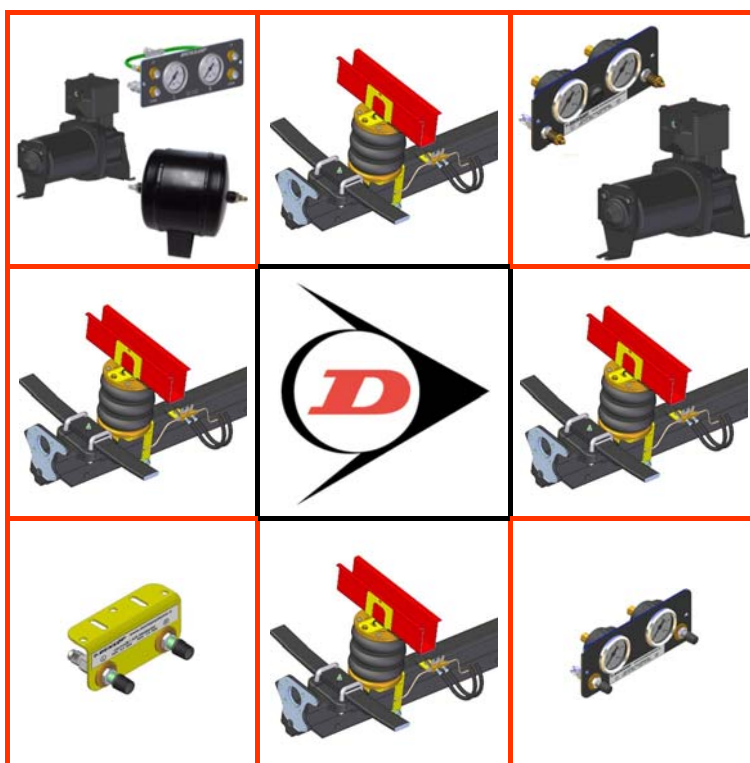


Installation Manual

L.TRA.EV10.C.M

Ford Transit FWD Broad Gauge Chassis
(2010 onwards)





Ford Transit FWD 280 –350

Broad Gauge Chassis

L.TRA.EV10.C.M

CONTENTS

1. FOREWORD	3
2. INTRODUCTION	4
3. VERY IMPORTANT NOTES.....	5
4. OVERVIEW	6
5. INSTRUCTIONS FOR INSTALLATION	7
5.1. Recommended Tightening Torque.....	7
5.2. Attachment of Adaptor Bracket to Axle.....	7
5.3. Attachment of Lower Bracket to Axle	8
5.4. Removal of Bump Stop from Chassis.....	8
5.5. Attachment of Upper Bracket to Chassis.....	8
5.6. Attachment of Bellow to Lower Bracket	9
5.7. Attachment of Bellow to Upper Bracket	9
5.8. Fitting of Inflator Console.....	10
5.9. Tube Connection and Disconnection, Cutting and Routing	11
5.10. Spring Inflation.....	12
5.11. Spring Alignment	13
5.12. Maintenance.....	13
5.13. Installation Drawings	14
6. EPILOGUE	21

DSC Nederland B.V.
Het Wegdam 22
7496 CA Hengevelde
Nederland
Tel. : +31 (0)547 333065
Fax. : +31 (0)547 333068
e-mail: info@dunlopsystems.nl
Website: www.dunlopsystems.nl

© 2017, DSC Nederland B.V.



Ford Transit FWD 280 –350

Broad Gauge Chassis

L.TRA.EV10.C.M

1. FOREWORD

This manual provides instructions for the installation of an auxiliary air suspension kit, developed specifically for the Ford Transit FWD 280/350 (2010 onwards) equipped with a broad gauge rear axle. To ensure correct installation of the kit, it is strongly recommend that these instructions are read thoroughly before commencing any installation work. Installation should only be carried out by a suitably qualified mechanic or specialist installation facility. DSC Nederland will not accept any responsibility for faults or defects arising from incorrect installation, which automatically renders the guarantee invalid.

IMPORTANT : Manufacturer's Declaration Form

A manufacturer's declaration form is provided with your kit. Following installation of the kit please ensure that this form is completed, signed by a qualified fitter and a copy is returned to DSC Nederland by post, fax or e-mail. Our e-mail address is: info@dunlopsystems.nl



Ford Transit FWD 280 –350

Broad Gauge Chassis

L.TRA.EV10.C.M

2. INTRODUCTION

Thank you for choosing an auxiliary air suspension kit from the range offered by *DSC Nederland* Auxiliary air suspension is fitted in tandem with the standard steel springs of the vehicle suspension, and provides enhancements in terms of both the stability of the vehicle and the comfort of the passengers...

Vehicle Levelling

Simply by varying the air pressure in the springs, the vehicle can be levelled both front-to-rear and side-to-side. Keeping the vehicle level optimises stability, ensures correct headlamp beam distribution and reduces tyre wear arising from uneven distribution of weight.

Straight Line Stability

Straight line stability is greatly increased at higher speeds, and when subjected to buffeting from cross-winds or large overtaking vehicles.

Reduced Body Roll

Body roll when cornering or negotiating roundabouts is significantly reduced.

Fatigue Reduction and Wear Compensation

Suspension fatigue is reduced, so helping to prevent leaf springs from sagging under repeated or constant loading. Any sagging already present can be compensated-for. This is a particular benefit for motorhomes, which are always fully laden.

Ride Comfort

Air springs help to absorb shock loads from uneven road surfaces, therefore general ride quality is much improved.



Ford Transit FWD 280 –350

Broad Gauge Chassis

L.TRA.EV10.C.M

3. VERY IMPORTANT NOTES



Gross Vehicle Weight (GVW)

Air assist kits are not in themselves designed to increase the gross vehicle weight (GVW) rating of a vehicle. They do not legally allow for carriage of a load greater than the carrying capacity stated on the data plate of the vehicle.

Do not exceed the maximum load specified by the vehicle manufacturer...

- ◆ to avoid compromising passenger safety
- ◆ to prevent possible damage to the vehicle
- ◆ for legal reasons

Vehicle Upgrading

Despite the above words of caution, it is possible to upgrade the weight rating of your vehicle. This must be carried-out by a specialist supplier that will...

- ◆ carry out any necessary modifications in addition to fitting the air assist kit
- ◆ complete documentation as necessary to inform the Vehicle and Operator Services Agency (VOSA) – a mandatory requirement
- ◆ supply and fit a new weight plate to replace the original plate supplied with the vehicle

This process applies to United Kingdom registered vehicles. The process in other countries may be different.

Safety Guidance Note

The following very useful guidance note is available for free download from the *Health and Safety Executive (HSE)*...

PM85, July 2007 *Safe recovery (and repair) of buses and coaches fitted with air suspension*

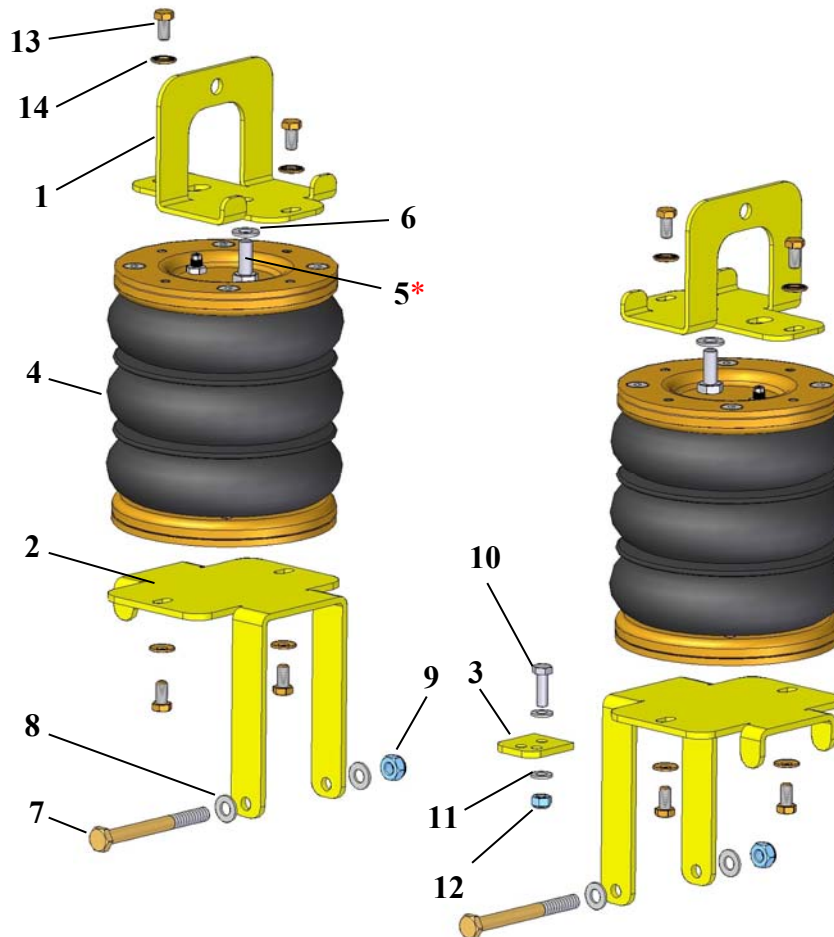
The uniform resource locator (URL) for this document is...

<http://www.hse.gov.uk/PUBNS/pm85.pdf>

L.TRA.EV10.C.M

4. OVERVIEW

The diagram below is an overview of the complete assembly...



Number	Part Number	Description	Quantity
1	21.04.00.1.01	UPPER BRACKET, LEFT AND RIGHT	2
2	21.14.00.1.04	LOWER BRACKET, LEFT AND RIGHT	2
3	21.04.00.1.31	ADAPTOR BRACKET	1
4	OP.LB.170-3.CPL	AIR BELLOW 170/3	2
5	DIN 933 M10 (x 1.25)* x 25	HEXAGON BOLT	2
6	DIN 127 M10	SPRING WASHER	2
7	DIN 931 M10 x 110	HEXAGON BOLT	2
8	DIN 125A M10	WASHER	4
9	DIN 985 M10	SELF LOCKING NUT	2
10	DIN 933 M8 x 25	HEXAGON BOLT	1
11	DIN 125A M8	WASHER	2
12	DIN 985 M8	SELF LOCKING NUT	1
13	DIN 933 M8 x 16	HEXAGON BOLT	8
14	M8	DISC WASHER	8

***ATTENTION!! Always check the pitch of the screw winding**

L.TRA.EV10.C.M

5. INSTRUCTIONS FOR INSTALLATION



Preparation and Precaution



Before beginning installation, ensure that you have sufficient clearance between the axle and the chassis (at least 25cm). Use a jack if necessary. Install at one side of the vehicle at a time.

Pay attention to your safety at all times during installation - always use axle stands to support the vehicle!



Start by jacking up the rear side till approximately driving level and measure the distance between the rear axle and the chassis at the location of the bump stop. This should be app. 18 cm. If this is app. 14 cm you will need a 2 convolute air bellow.

5.1 Recommended Tightening Torque

During fitting of the air suspension system, it is recommended that nuts and bolts are tightened in accordance with the following table...

METRIC TORQUE CHART in N.m			
SIZE	CLASS 8.8	CLASS 10.9	Aluminium and PA6G
M6 x 1	10	14	4
M8 x 1.25	23	34	9
M10 x 1.25*	51	72	20
M10 x 1.5	48	67	18
M12 x 1.75	83	117	31
M16 x 2	200	285	80

- When both the bolt and nut are made from steel use either class 8.8 or 10.9
- For all other materials, tightening torque is left to the discretion of a person skilled in the art

The following instructions make reference to the diagrams on pages 16 to 20 inclusive.

5.2 Attachment of Adaptor Bracket to Axle

- Unscrew and temporarily remove the bolt that attaches the brake line manifold bracket to the axle—Figures 1 and 2
- Using the bolt removed in step 1, attach the adaptor bracket to the axle—Figure 3
- Align the brake line manifold bracket with a free hole in the adaptor bracket and join the two using a single bolt, two washers and a nut—Figures 4 to 7



Ford Transit FWD 280 –350

Broad Gauge Chassis

L.TRA.EV10.C.M

5.3 Attachment of Lower Bracket to Axle

- i. Place the lower bracket onto the axle, taking care to orientate correctly—Figures 8 and 9
- ii. Secure the lower bracket against the axle using a single long bolt, two washers and a nut—Figures 10 and 11

5.4 Removal of Bump Stop from Chassis

- i. Unscrew and Remove the single, centrally-located bolt from the bump stop and lower it away from the chassis—Figures 13, 14 and 15. Use the bolt to select the correct bolt with the correct pitch for attaching the upper bracket.

5.5 Attachment of Upper Bracket to Chassis

- i. The upper bracket is attached to the chassis in the area left vacant by removal of the bump stop.
- ii. Feed the top bracket up to the chassis, taking care to orientate correctly (longest protruding part of bracket nearest to the wheel) - Figures 16 and 17
- iii. Attach the bracket to the chassis using a single bolt (check the pitch of the screw winding) and spring washer, making use of the threaded hole left vacant by removal of the bump stop—Figures 18 and 19



Ford Transit FWD 280 –350

Broad Gauge Chassis

L.TRA.EV10.C.M

5.6 Attachment of Bellow to Lower Bracket

- i. See Section 5.8 - "Tube Connection and Disconnection, Cutting and Routing" : Connect a tube to the bellow by pushing the tube into the air inlet port on the upper plate of the spring and then hand-rotating the tube by one screw turn—Figures 1 and 2. Use black tubing for the left-hand bellow and blue for the right-hand bellow.
- ii. Compress the spring and then bung the end of the tube to retain it in the compressed state
- iii. Place the spring tube-upwards directly between the upper bracket (now connected to the chassis) and the lower bracket (connected to the axle), and feed the tube through the large hole in the upper bracket—Figures 20 and 21
- iv. Attach the spring to the lower bracket using two M8 x 16mm bolts and two spring washers—Figures 22 and 23. Do not fully tighten the bolts at this stage because the bellow may require alignment once inflated (Section 5.10, Figure 28).

5.7 Attachment of Bellow to Upper Bracket

- i. Release the bung from the tube. This allows air into the bellow, which consequently expands upwards towards the upper bracket—Figures 24 and 25.
- ii. Attach the upper bracket to the bellow using two M8 x 16mm bolts and two flat washers—Figures 26 and 27—but do not tighten the bolts at this stage because the bellow may require alignment once inflated (Section 5.10, Figure 28).

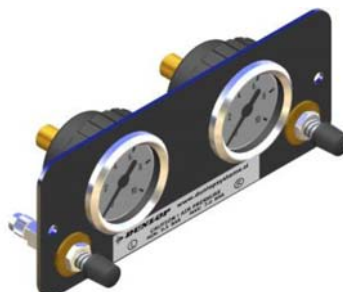
L.TRA.EV10.C.M

5.8 Fitting of Inflator Console

Option Valves



Option 1



Option 2



Option 3



Your kit is supplied with one of the inflator console options shown above...

- 'Option Valves', having two valves and a bracket (above, top-left)
- 'Option 1', 'Option 2' or 'Option 3', having both valves and pressure gauges

Mount the console in a position of your choice whereby it is firmly fixed, has some protection from the environment (particularly important for the console with gauges) and is easily accessible. Suggested possible locations include...

Console with Valves Only...

- on the rear bumper
- at the rear beside the license plate
- on the chassis next to a rear wheel
- in a service shutter
- beside the fuel cap

Console with Valves and Gauges...

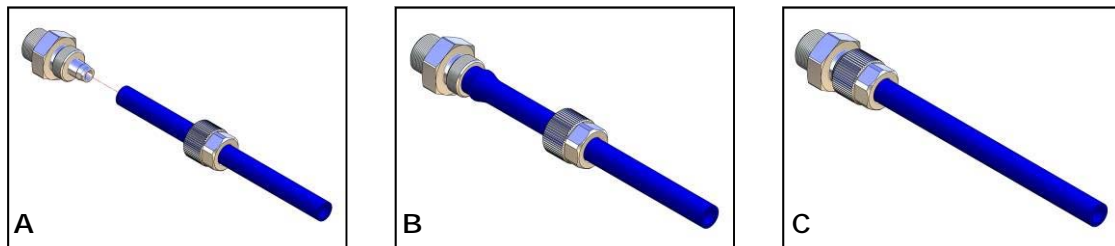
- in the vehicle cabin, within reach and sight of the driver
- in the wall of a cupboard (motorhomes)
- in a service shutter

'Comfort' Packages

The 'Option 2' and 'Option 3' panels, as shown above, are each part of a *Comfort Package* that is supplied with a compressor (and also an air reservoir in the case of the 'Option 3' panel) for ease of spring inflation and ride height setting. For further information please ask your dealer.

L.TRA.EV10.C.M**5.9 Tube Connection and Disconnection, Cutting and Routing****Connection and Disconnection**

Tubes are connected as shown by the diagrams below...



- A. Slide a nut over the end of the tube
- B. Push the tube onto the connector as far as possible
- C. Feed the nut up to the connector, fully tighten by hand and finally tighten one additional turn using spanners

Cutting

To achieve good sealing and air-tight fitting of tube ends to their connecting parts, it is very important to cut tubing cleanly and squarely. A dedicated guillotine action tubing cutter is recommended, or a craft knife if such a tool is not available. Do not use electrician's side cutters.



A dedicated tubing cutter -
Recommended



Electrician's Side Cutters
NOT Recommended



Ford Transit FWD 280 –350

Broad Gauge Chassis

L.TRA.EV10.C.M

Routing

Study the underside of the vehicle and decide how to route each branch of the air circuit...

- To minimise the risk of chafing, avoid running tubing over metal edges as much as possible
- Avoid close proximity to heat sources such as the exhaust assembly
- Choose a route that provides as much protection as possible from dirt, debris and any solid objects that may impact the underside of the vehicle

It is recommended that tubes are guided alongside brake lines as much as possible.



Use cable ties ('tie wraps') to secure tubing to the chassis, taking care not to over-tighten them.

5.10 Spring Inflation

Once installation of the air assist kit is complete, inflate the springs via the inflator console taking careful note of the following...



Maximum and Minimum Pressure

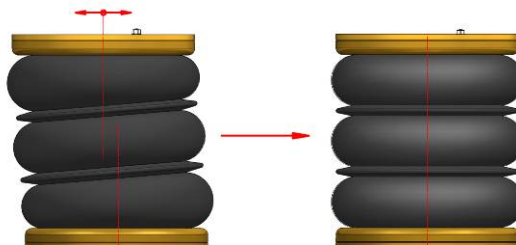
Maximum Pressure 7.0bar

Minimum Pressure 0.5bar

Do not exceed 7.0bar (101psi), which is the recommended maximum charge pressure for the air springs.

The springs may be deflated if the vehicle is to be stored for a lengthy period without use, but a pressure of at least 0.5bar (7.25psi) should be maintained at all times in order to avoid possible compression damage to the springs.

It is wise to hand over the vehicle 24 hours after the installation is done. Just to assure the customer will leave with an airtight system.

L.TRA.EV10.C.M**5.11 Spring Alignment**Spring out of alignment
mounting plate axes offsetSpring in alignment
mounting plates parallel
and coaxial**CAUTION!**

Before fully tightening the bolts that secure the air spring to the upper and lower brackets, set the vehicle at ride height (spring height approximately 18.5cm) and ensure that the springs are correctly aligned.

5.12 Maintenance

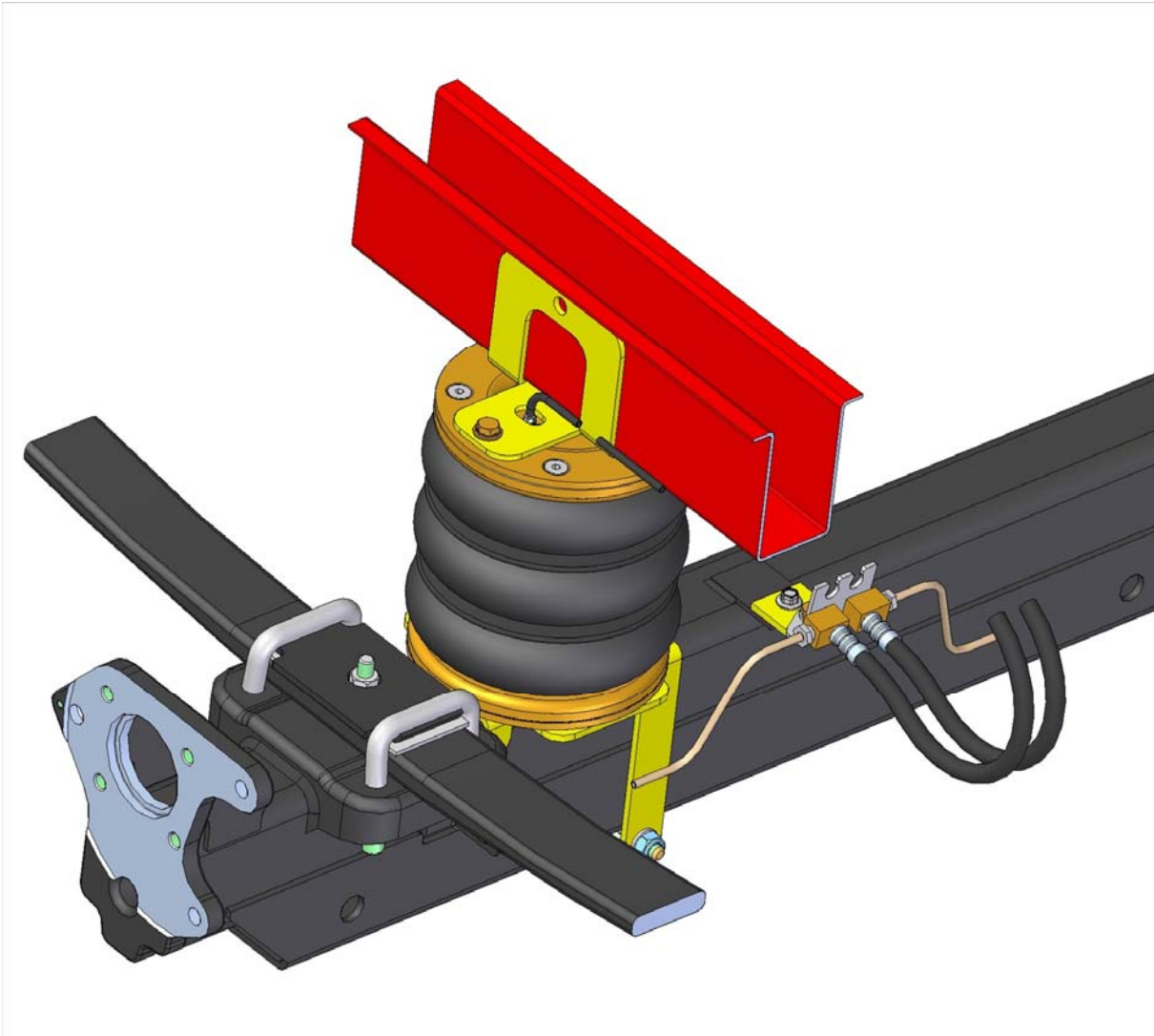
Following installation, it is recommended that all metal parts are coated with a protective substance such as body wax.

The system does not require very much maintenance other than...

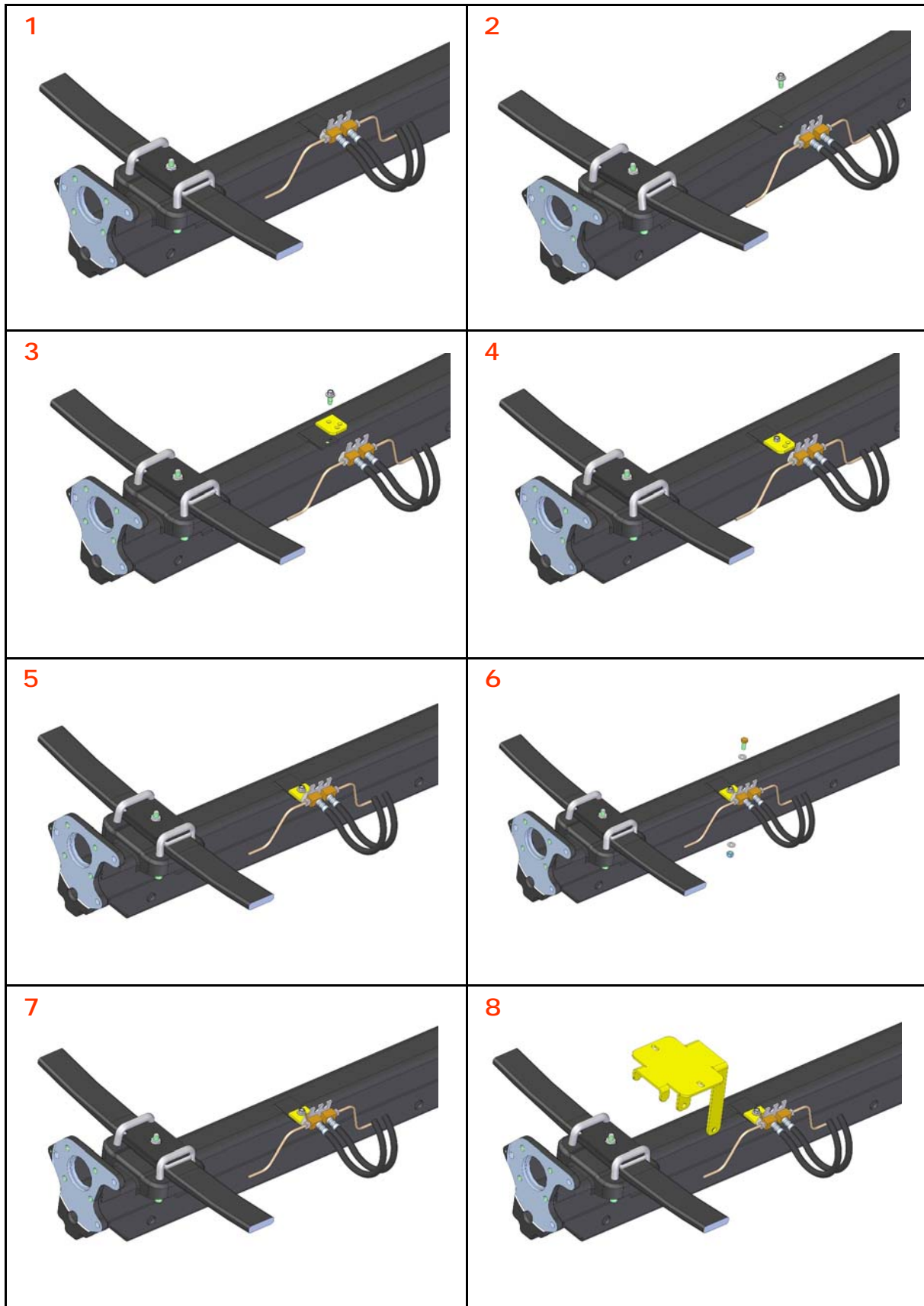
- ◆ to maintain air pressure in the springs. Much like a tyre, the system may lose a little air over time.
- ◆ to keep the air bellows clean. It is suggested that, when washing the vehicle, the bellows are inspected and cleaned as necessary (preferable by spraying). Look in particular for stones or grit trapped between convolutes, as this may damage the bellow.
- ◆ Check before and after the winter period the wax coating. Re-wax when necessarily

L.TRA.EV10.C.M

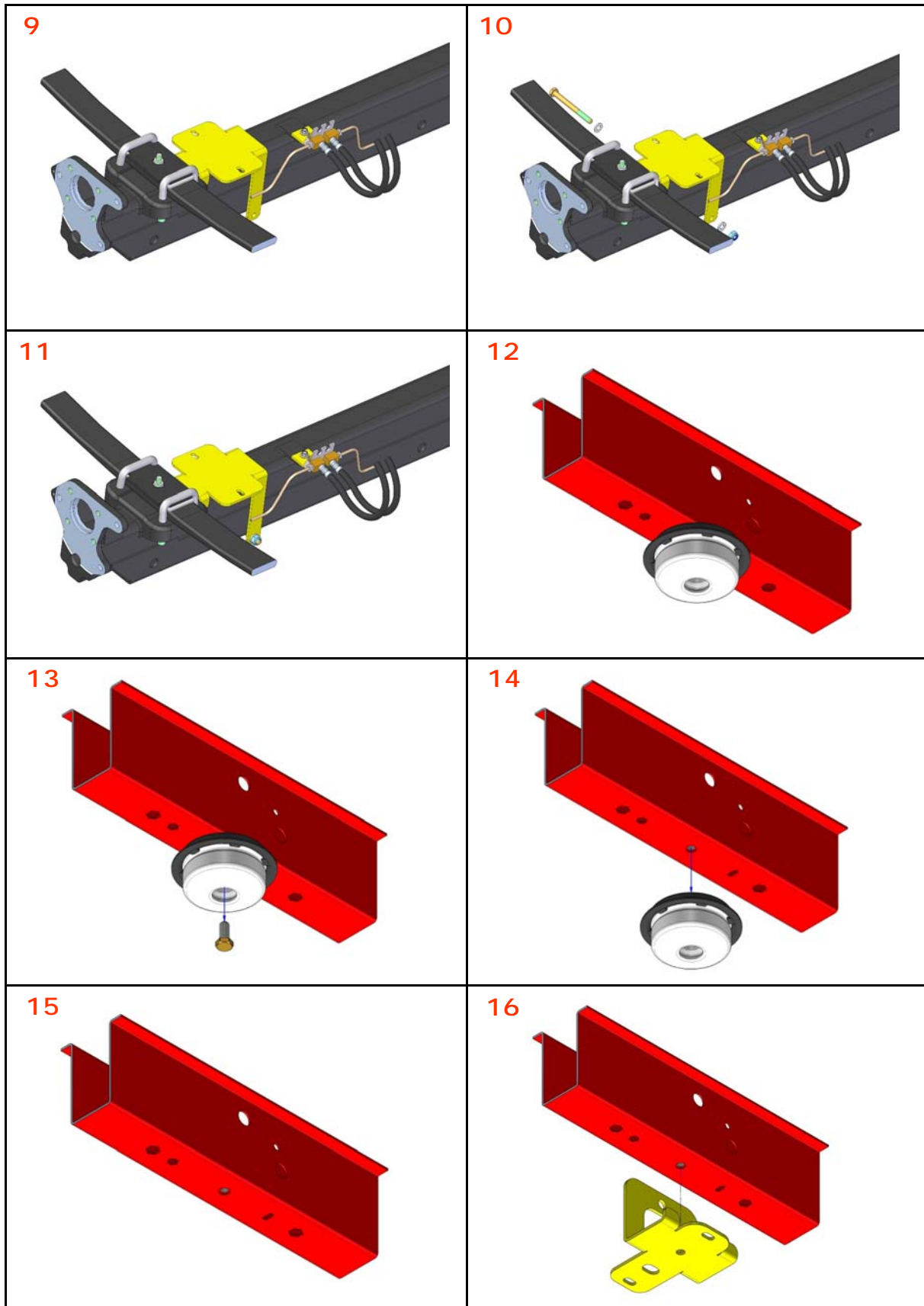
5.13 Installation Drawings



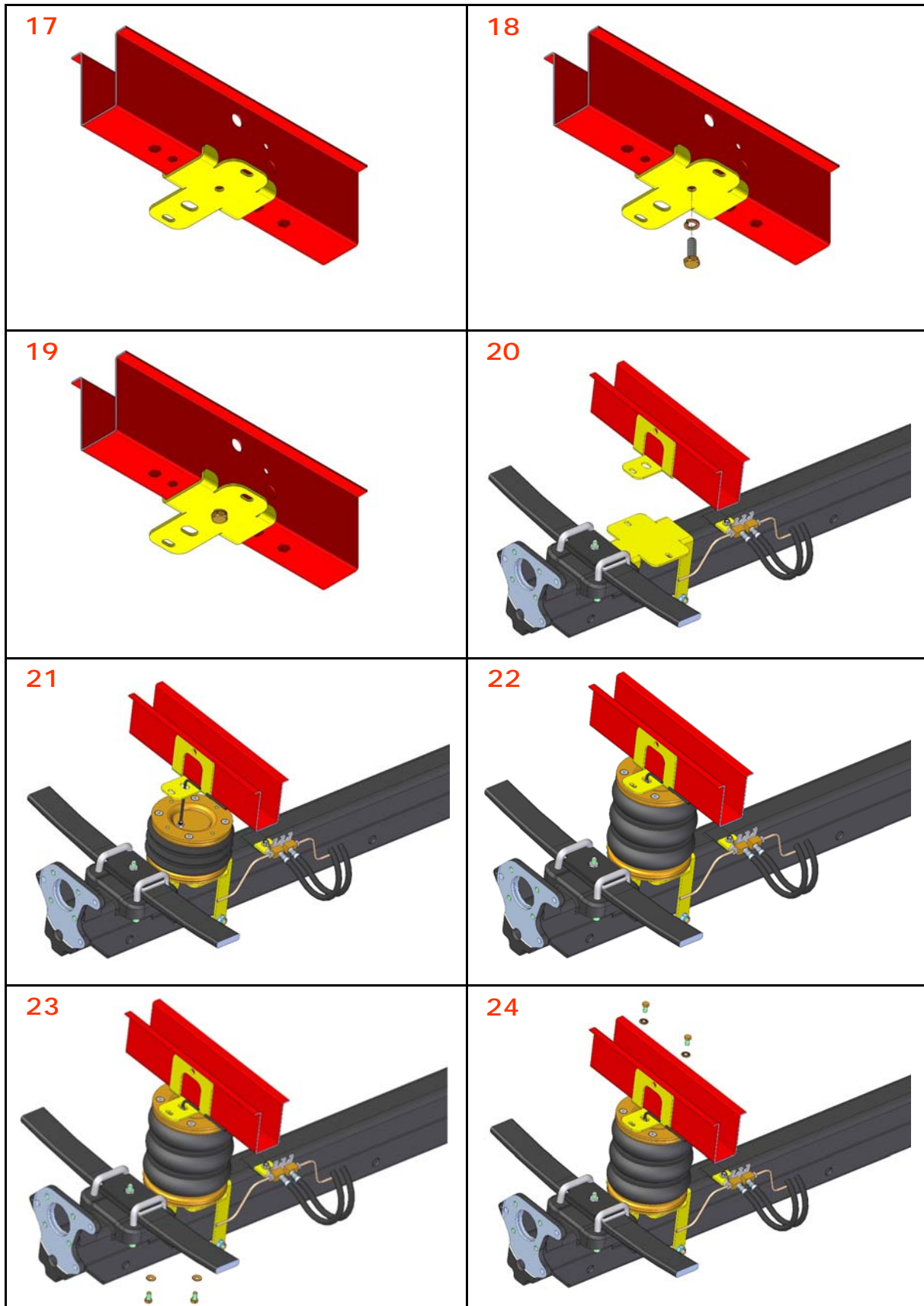
L.TRA.EV10.C.M



L.TRA.EV10.C.M

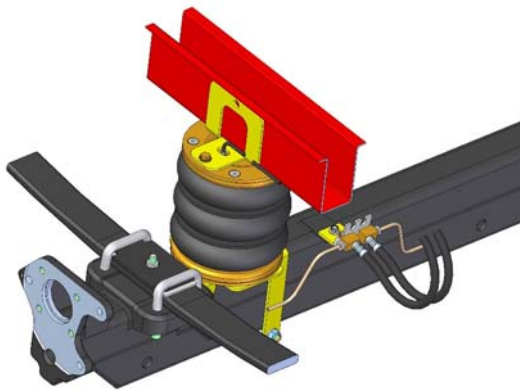


L.TRA.EV10.C.M

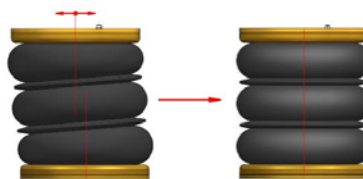


L.TRA.EV10.C.M

25



26



Spring out of alignment—mounting plate axes offset of Spring in alignment—mounting plates parallel and coaxial

**CAUTION!**

Before fully tightening the bolts that secure the air spring to the upper and lower brackets, set the vehicle at ride height (spring height approximately 18.5cm) and ensure that the springs are correctly aligned.



Ford Transit FWD 280 –350

Broad Gauge Chassis

L.TRA.EV10.C.M

6. EPILOGUE

DSC Nederland hopes that you enjoy the benefits that your *DUNLOP* air suspension system will provide for you. To ensure optimal performance, we advise that you have your system checked frequently by qualified personnel. As recommended in the fitting instructions, it is important to coat all the steel parts with a protective substance such as body wax.

IMPORTANT : Manufacturer's Declaration Form

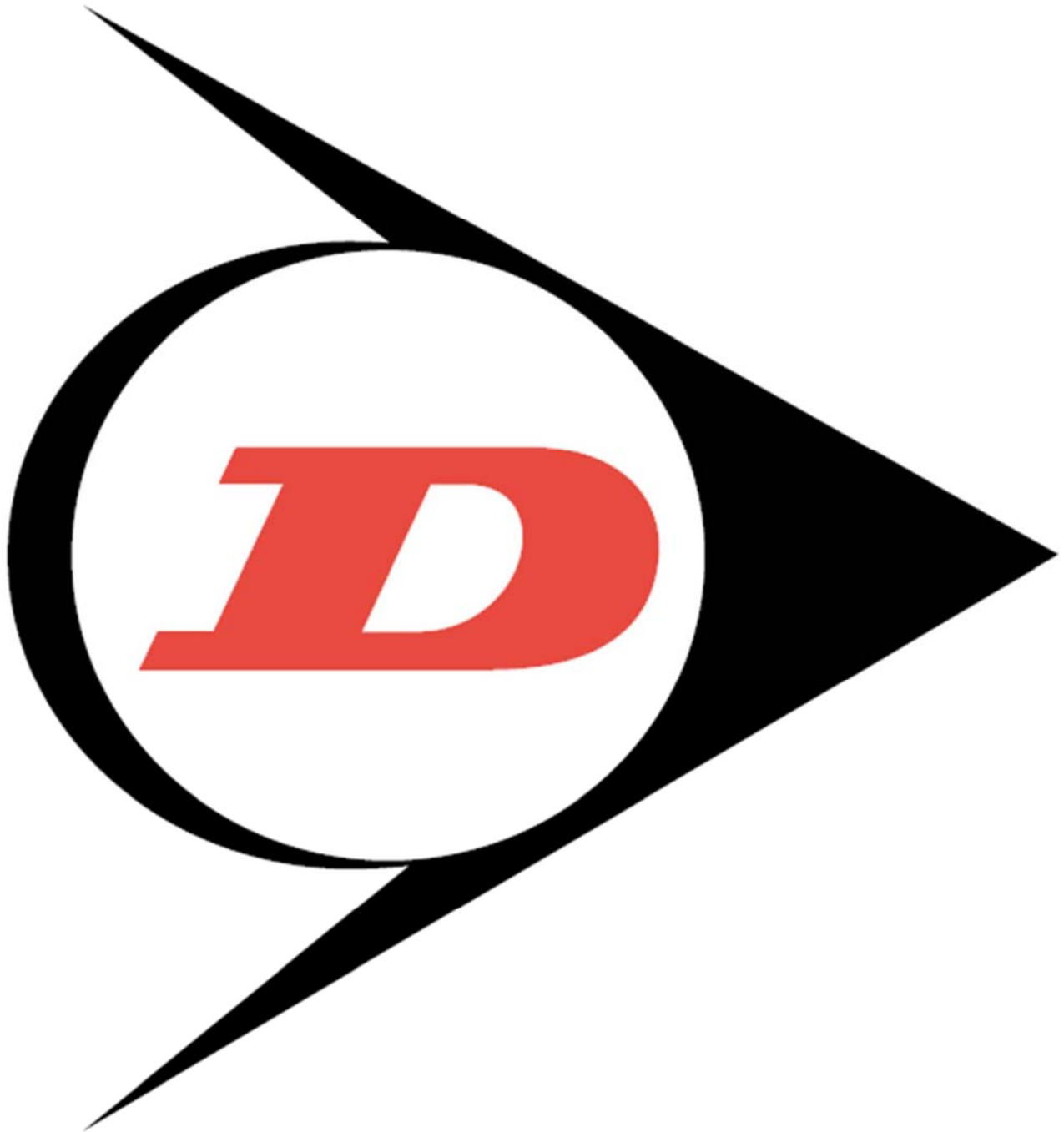
A manufacturer's declaration form is provided with your kit. Following installation of the kit please ensure that this form is completed, signed by a qualified fitter and a copy is returned to DSC Nederland by post, fax or e-mail. Our e-mail address is: info@dunlopsystems.nl

As a condition of your warranty, modifications to the system may only be carried out by personnel of DSC Nederland.

Enquiries

For general enquiries please contact one of our dealers. You can find them on our website.

www.dunlopsystems.nl



DSC Nederland B.V.
Het Wegdam 22
7496 CA Hengevelde
Nederland
Tel. : +31 (0)547 333065
Fax. : +31 (0)547 333068
e-mail: info@dunlopsystems.nl

www.dunlopsystems.nl